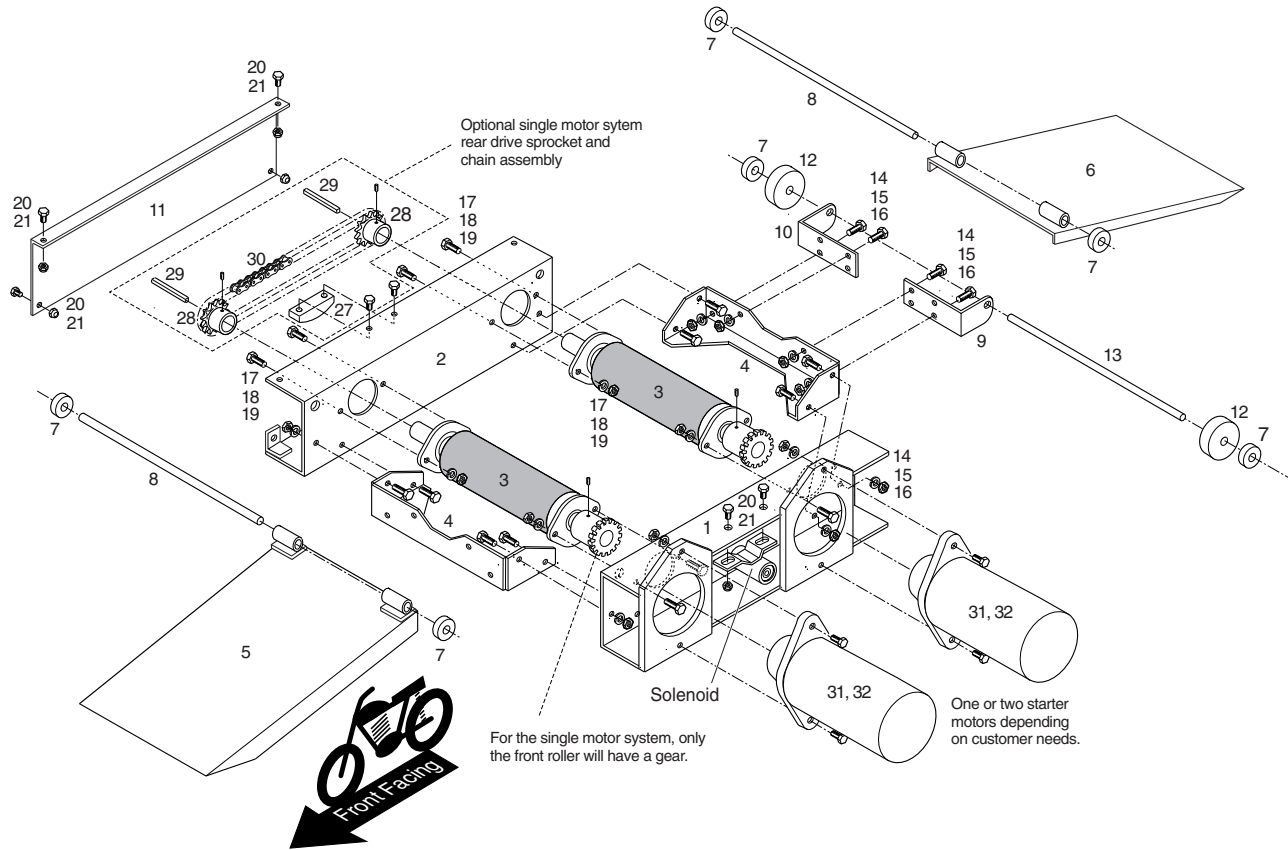


# SO-LO Starter Systems



## Parts List Before starting assembly check all parts.

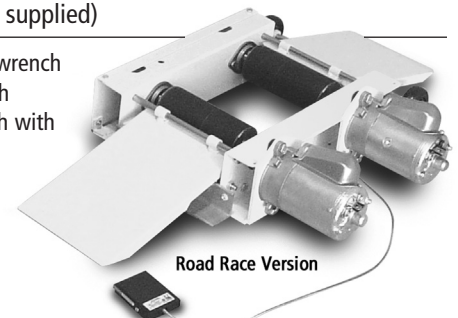
ITEM	QTY.	PART DESCRIPTION
1	1	Channel, motor mount, (double motor plate)
2	1	Channel, right side
3	2	Roller Assembly, Complete w/gear and bearing ass'y as per motor requirements
4	2	Angle bracket, rear tie and front tie
5	1	Narrow ramp
6	1	Wide ramp
7	6	1/2" i.d. lock collar
8	2	1/2" dia. Pivot bar 11 3/16 lg.
9	1	Rear wheel axle bracket (L.H.)
10	1	Rear wheel bracket (R.H.)
11	1	Chain guard
12	2	Wheels 3" dia
13	1	Axle 1/2" dia. X 18" lg.
14-15-16	16	3/8 NC x 1" lg. hex bolt, lock washer, nut
17-18-19	8	5/16NC x 1" lg. hex bolt, lock washer, nut
20-21	4 (6*)	1/4 NC 3/4 lg. hex bolt, nut (*6 with solenoid)
22	1	Foot switch with wires

## STARTER MOTOR OPTIONS

31	1 OR 2	2 bolt mounting, 4" field case, 9 tooth, 12 Volt, Automatic Transmission, or MT Ford #3153, 3180, or 3186 (used on 87 Crown Vic, E series vans 91-85, F series pickups 4.9L and 5.0L), (NAPA #244-9227) (solenoid reqd.-NAPA #ST95 or equiv.)
32	1 OR 2	Custom Hi-Torque starter (Big Mike special)
33	1	Owners manual with serial number
34	1	Optional bumper roller assembly for Flat Track racers

## TOOLS REQUIRED (Not supplied)

- 1/2" - 9/16" open end wrench
- 1/2" - 9/16" box wrench
- 3/8 drive ratchet wrench with short extension
- 9/16" socket
- set of Allen keys
- duct tape
- Loctite blue



## OPTIONAL SINGLE STARTER MOTOR ADAPTER KIT

27	1	Chain tensioner (per motor requirement)
28	2	35 Pitch sprocket w/set screws (16 t)
29	2	1/4" square key
30	1	#35 chain and master link assembly (70 pitches)

**NOTE:** Your starter may not function properly if all components are not accurately assembled. Please read instructions thoroughly before you begin and follow the directions for the safe operation of your SO-LO Starting System. Can be disassembled if necessary. Save these instructions for future reference.